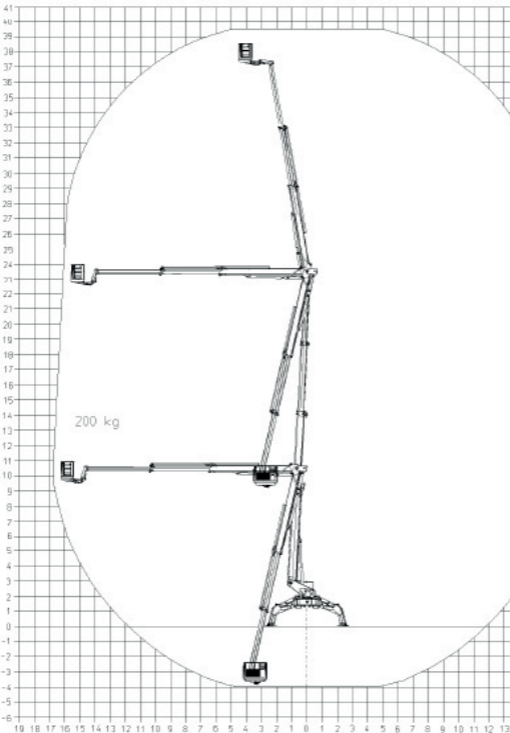


HALEO40

The most flexible spider lift available.



- Up to 400kg SWL (restricted envelope)
- Unrivalled outreach - 16m with 200kg SWL
- Only 1.55m wide - will still fit through a double gateway!



HigherAccess
Spider Lift Hire Specialists

08456 044 054 www.higheraccess.co.uk

HALEO40

Working height	39.5m with 200kg
Platform height	37.5m with 200kg
Lateral outreach	16.0m with 200kg
Safe load on cage with reduced envelope	200kg or 400kg
Cage rotation	180°
Range of rotation	450°
Limited range of rotation - one side narrow	120°
Limited range of rotation - both sides narrow	Not possible
Cage dimensions	1.5 x 0.8 x 1.1m
Removable cage	Y
Length in travelling position with cage	8.20m
Length in travelling position without cage	7.40m
Width in travelling position with cage	1.58m
Width in travelling position without cage	1.58m
Height in travelling position	1.98m
Net weight	11,700kg
Setup width standard	5.52m
Setup length standard	6.84m
Setup width - one side narrow	4.28m
Setup width - both sides narrow	-
Power supply	Kubota Diesel
	415v electric - three phase supply required
Climbing ability	16.7°
Setup ability	16.7°
Maximum point load (kN)	75.00
Load on 400mm pad (kN/cm ²)	468.75
Load on 600mm pad (kN/cm ²)	208.33
Load on 800mm pad (kN/cm ²)	117.19
Adjustable track height/width height adjustment	Hydraulic - 0.50m
Drive control	Radio remote
Drive speed	1.60km/h

DISCLAIMER

The information on this page is for guidance only and is subject to change without prior notice in line with the Manufacturer's Development Program. Higher Access and its suppliers cannot be held liable for any damage or injury sustained through use of this information to specify equipment.