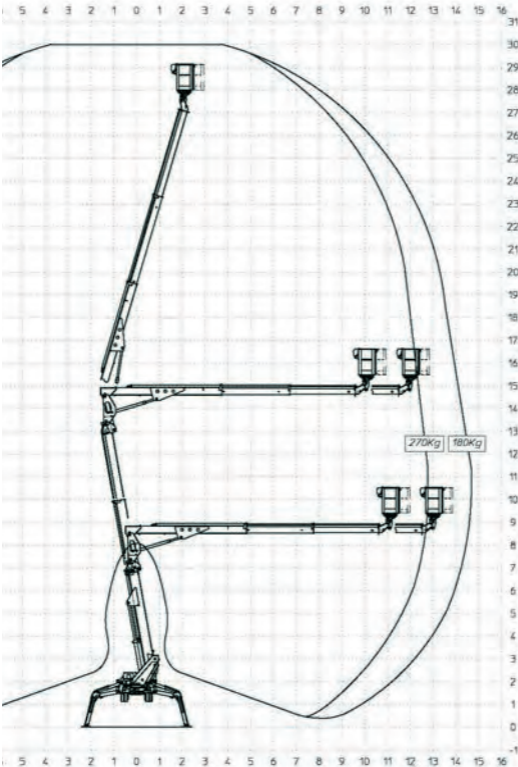


Multitel SMX 290HD

Fast and efficient over rough terrain.



- 270kg safe working load in the cage
- Heavy duty chassis for rough terrain
- Up to 22% climbing ability



HigherAccess
Spider Lift Hire Specialists

08456 044 054 www.higheraccess.co.uk

Multitel SMX 290HD	
Working height	29.20m
Platform height	27.20m
Lateral outreach	14.6 with 180kg
Safe load on cage	270kg max
Cage rotation	180°
Range of rotation	400°
Limited range of rotation - one side narrow outreach only	Restricted
Limited range of rotation - both sides narrow outreach only	Restricted
Cage dimensions	1.6 x 0.7 x 1.1m
Removable cage	N
Length in travelling position with cage	6.33m
Length in travelling position without cage	-
Width in travelling position with cage	1.65m
Width in travelling position without cage	-
Height in travelling position	2.40m
Net weight	5,600kg
Setup width standard	4.55m
Setup length standard	5.45m
Setup width - one side narrow	3.55m
Setup width - both sides narrow	3.55m
Power supply	Kubota Diesel
Climbing ability	22°
Setup ability	14°
Maximum point load (N)	35,000
Load on 400mm pad (N/cm ²)	21.88
Load on 600mm pad (N/cm ²)	9.72
Load on 800mm pad (N/cm ²)	5.47
Live load in setup position (kN/m ²)	2.22
Traffic live load (kN/m ²)	5.26
Adjustable track height/width	No
Drive control	Radio remote
Drive speed	3.2km/h

DISCLAIMER

The information on this page is for guidance only and is subject to change without prior notice in line with the Manufacturer's Development Program. Higher Access and its suppliers cannot be held liable for any damage or injury sustained through use of this information to specify equipment.