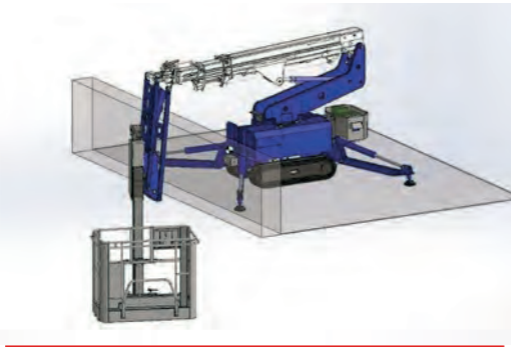
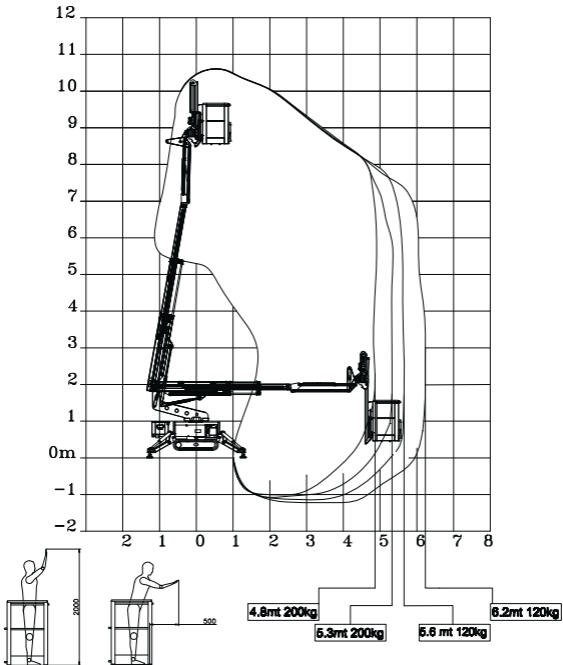


SA11P

The most compact spider available!



- Most compact spider available - will fit in most standard goods lift
- Less than 1,400kg in weight (with jib removed)
- Negative reach of almost 3m



WORKING PARAMETERS



HigherAccess
Spider Lift Hire Specialists

08456 044 054 www.higheraccess.co.uk

SA11P

Working height	10.57m
Platform height	8.57m
Lateral outreach	6.2m with 120kg
Safe load on cage	230kg max
Cage rotation	180°
Range of rotation	340°
Limited range of rotation - one side narrow	N/A
Limited range of rotation - both sides narrow	N/A
Cage dimensions	1.4 x 0.7 x 1.1m
Removable cage	Y
Length in travelling position with cage	3.88m
Length in travelling position without cage	2.36m min
Width in travelling position with cage	1.38m
Width in travelling position without cage	0.78m min.
Height in travelling position	1.98m
Net weight	1,325kg min.
Setup width standard	2.53m
Setup length standard	2.81m
Setup width - one side narrow	-
Setup width - both sides narrow	-
Power supply	Lithium battery
Climbing ability	16°
Setup ability	5°
Maximum point load (N)	12,258
Load on 400mm pad (N/cm ²)	7.66
Load on 600mm pad (N/cm ²)	3.41
Load on 800mm pad (N/cm ²)	1.92
Live load in setup position (kN/m ²)	2.30
Traffic live load (kN/m ²)	4.98
Adjustable track height/width width adjustment	780 - 1090mm
Drive control	Radio remote
Drive speed	1.5km/h

DISCLAIMER

The information on this page is for guidance only and is subject to change without prior notice in line with the Manufacturer's Development Program. Higher Access and its suppliers cannot be held liable for any damage or injury sustained through use of this information to specify equipment.