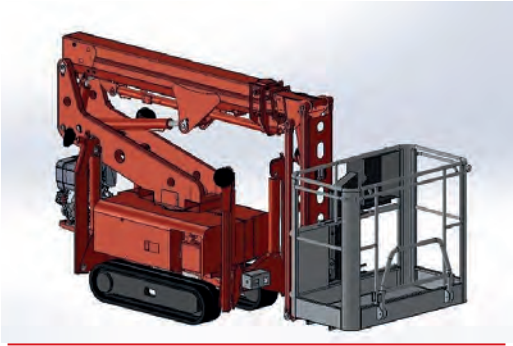
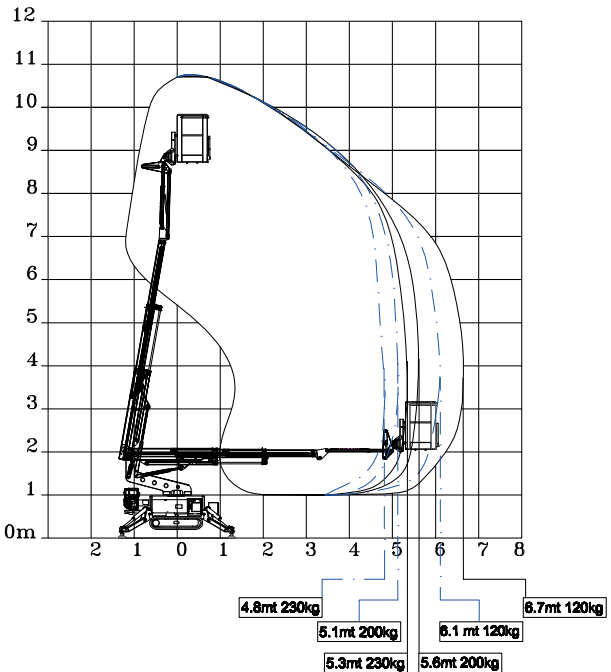


HASA11

Lightweight and compact for the smallest spaces.



- Extremely compact transport dimensions
- Self leveling for ease of setup
- Width adjustable tracks for manoeuvrability



HASA11

Working height	10.73m
Platform height	8.73m
Lateral outreach	6.7m with 120kg
Safe load on cage	230kg max
Cage rotation	180°
Range of rotation	340°
Limited range of rotation - one side narrow	N/A
Limited range of rotation - both sides narrow	N/A
Cage dimensions	1.4 x 0.7 x 1.1m
Removable cage	Y
Length in travelling position with cage	3.7m
Length in travelling position without cage	2.99m
Width in travelling position with cage	1.42m
Width in travelling position without cage	0.78m min.
Height in travelling position	1.94m
Net weight	1,480kg
Setup width standard	2.53m
Setup length standard	2.81m
Setup width - one side narrow	-
Setup width - both sides narrow	-
Power supply	Diesel
	230v electric
	110v electric
Climbing ability	16°
Setup ability	5°
Maximum point load (kN)	12.01
Load on 400mm pad (kN/m ²)	75.08
Load on 600mm pad (kN/m ²)	33.37
Load on 800mm pad (kN/m ²)	18.77
Adjustable track height/width width adjustment	780 - 1090mm
Drive control	Radio remote
Drive speed	1.5km/h

DISCLAIMER

The information on this page is for guidance only and is subject to change without prior notice in line with the Manufacturer's Development Program. Higher Access and its suppliers cannot be held liable for any damage or injury sustained through use of this information to specify equipment.