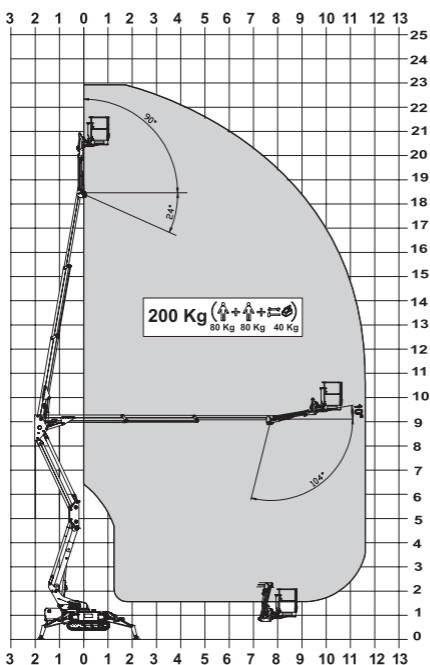


HACS230

Fast, flexible & efficient.



- Dual power source - mains electric or diesel - can work indoors or out
- Fully hydraulic outriggers for ease and safety of setup
- 31% gradeability - ideal for working on slopes



HigherAccess
Spider Lift Hire Specialists

08456 044 054 www.higheraccess.co.uk

HACS230

Working Height (max.) - With moveable fly jib (m)	23.00m
Platform Height (max.) (m)	21.00m
Lateral Outreach (max.) (m)	12.00m
Safe Load on Cage (max.) (kg)	200kg
Cage Rotation	180°
Range of Rotation	360°
Limited Range of Rotation - one side narrow	212°
Limited Range of Rotation - both sides narrow	48°
Cage Dimensions (L x W x H) (m)	1.3 x 0.7 x 1.1m
Removable Cage	Y
Length in Travelling Position with Cage (min.) (m)	5.30m
Length in Travelling Position without Cage (min.) (m)	4.59m
Width in Travelling Position with Cage (min.) (m)	1.10m
Width in Travelling Position without Cage (min.) (m)	0.78m
Height in Travelling Position (min.) (m)	2.00m
Net Weight (kg)	3,040
Setup Width - Standard - to outside edge of outrigger foot (m)	4.29m
Setup Length - Standard - to outside edge of outrigger foot (m)	4.49m
Setup Width - Both Sides Narrow - to outside edge of outrigger foot (m)	3.20m
Setup Width - One Side Narrow (m)	3.6m
Setup Length - Narrow (m)	5.4m
Power Supply	Diesel
	110V Electric - 32A yellow plug
Climbing Ability	17°
Setup Ability	17°
Maximum Point Load (kN)	28.00
Load on 400mm Pad (kN/cm ²)	175.00
Load on 600mm Pad (kN/cm ²)	77.78
Load on 800mm Pad (N/cm ²)	43.75
Adjustable Track Height/Width	Y
Drive Control	Radio Remote Control
Drive Speed	2.00km/h

DISCLAIMER

The information on this page is for guidance only and is subject to change without prior notice in line with the Manufacturer's Development Program. Higher Access and its suppliers cannot be held liable for any damage or injury sustained through use of this information to specify equipment.