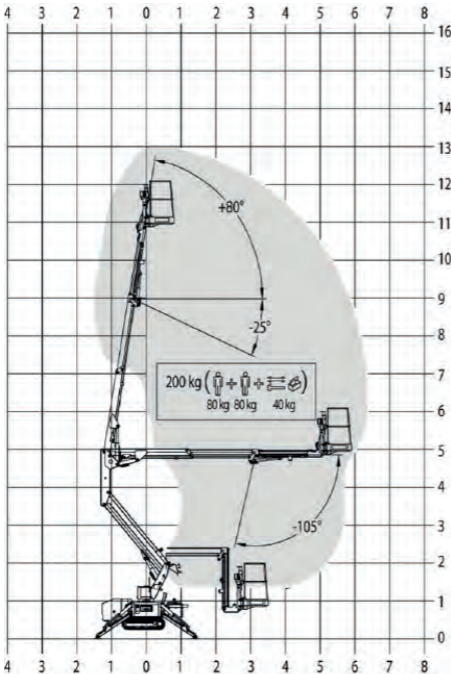


# HACS135

Flexibility in an extremely compact package.



- Dual power source - mains electric or diesel - can work indoors or out
- 31% gradeability - excellent for working on slopes
- Compact transport dimensions - will fit through a single doorway



# HACS135

Working Height (max.)	13.30m
Platform Height (max.)	11.30m
Lateral Outreach (max.)	6.50m
Safe Load on Cage (max.)	200kg
Cage Rotation	None°
Range of Rotation	320°
Limited Range of Rotation - one side narrow	Not Possible
Limited Range of Rotation - both sides narrow	Not Possible
Cage Dimensions (L x W x H) (m)	1.3 x 0.7 x 1.1m
Removable Cage	Y
Length in Travelling Position with Cage (min.)	3.75m
Length in Travelling Position without Cage (min.)	3.05m
Width in Travelling Position with Cage (min.)	1.30m
Width in Travelling Position without Cage (min.)	0.78m
Height in Travelling Position (min.)	1,99m
Net Weight	1,600kg
Setup Width - Standard - to outside edge of outrigger foot	3.15m
Setup Length - Standard - to outside edge of outrigger foot	3.15 m
Setup Width - One Side Narrow - to outside edge of outrigger foot	Not Possible
Setup Width - Both Sides Narrow - to outside edge of outrigger foot	Not Possible
Power Supply - model specific, please ask.	Diesel  110V Electric - 32A Yellow Plug
Climbing Ability	17°
Setup Ability	7°
Maximum Point Load (kN)	15.00
Load on 400mm Pad (kN/m <sup>2</sup> )	93.75
Load on 600mm Pad (kN/m <sup>2</sup> )	41.67
Load on 800mm Pad (kN/m <sup>2</sup> )	23.44
Adjustable Track Height/Width	None
Drive Control	Umbilical Remote Control

## DISCLAIMER

The information on this page is for guidance only and is subject to change without prior notice in line with the Manufacturer's Development Program. Higher Access and its suppliers cannot be held liable for any damage or injury sustained through use of this information to specify equipment.