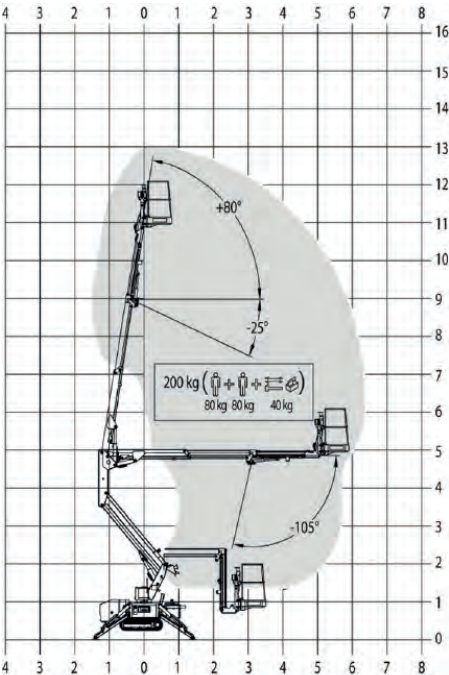


CS135

Flexibility in an extremely compact package.



- Dual power source - mains electric or diesel - can work indoors or out
- 31% gradeability - excellent for working on slopes
- Compact transport dimensions - will fit through a single doorway



HigherAccess
Spider Lift Hire Specialists

08456 044 054 www.higheraccess.co.uk

CS135

| | |
|---|---|
| Working Height (max.) | 13.30m |
| Platform Height (max.) | 11.30m |
| Lateral Outreach (max.) | 6.50m |
| Safe Load on Cage (max.) | 200kg |
| Cage Rotation | None° |
| Range of Rotation | 320° |
| Limited Range of Rotation - one side narrow | Not Possible |
| Limited Range of Rotation - both sides narrow | Not Possible |
| Cage Dimensions (L x W x H) (m) | 1.3 x 0.7 x 1.1m |
| Removable Cage | Y |
| Length in Travelling Position with Cage (min.) | 3.75m |
| Length in Travelling Position without Cage (min.) | 3.05m |
| Width in Travelling Position with Cage (min.) | 1.30m |
| Width in Travelling Position without Cage (min.) | 0.78m |
| Height in Travelling Position (min.) | 1,99m |
| Net Weight | 1,600kg |
| Setup Width - Standard - to outside edge of outrigger foot | 3.15m |
| Setup Length - Standard - to outside edge of outrigger foot | 3.15 m |
| Setup Width - One Side Narrow - to outside edge of outrigger foot | Not Possible |
| Setup Width - Both Sides Narrow - to outside edge of outrigger foot | Not Possible |
| Power Supply - model specific, please ask. | Diesel 110V Electric - 32A Yellow Plug |
| Climbing Ability | 31% |
| Setup Ability | 12% |
| Maximum Point Load (N) | 15,000 |
| Load on 400mm Pad (N/cm ²) | 9.375 |
| Load on 600mm Pad (N/cm ²) | 4.167 |
| Load on 800mm Pad (N/cm ²) | 2.344 |
| Live Load in Setup Position (KN/m ²) | 1.582 |
| Traffic Live Load (Kn/M ²) | 5.366 |
| Adjustable Track Height/Width | None |
| Drive Control | Umbilical Remote Control |

DISCLAIMER

The information on this page is for guidance only and is subject to change without prior notice in line with the Manufacturer's Development Program. Higher Access and its suppliers cannot be held liable for any damage or injury sustained through use of this information to specify equipment.